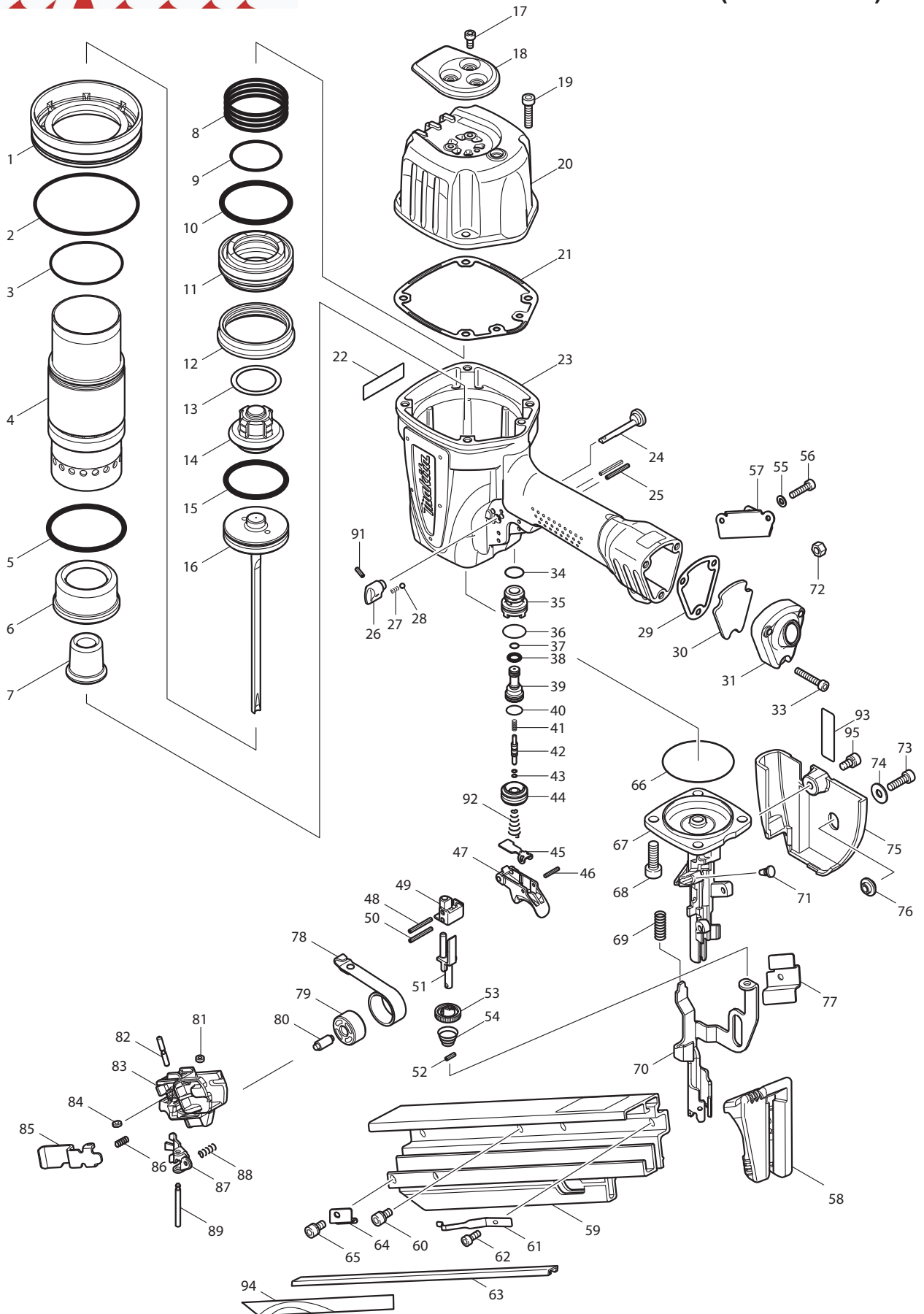


FRAMING NAILER (CLIP HEAD)



Item No	Type	Ref	Part No	SC Description	Qty	Unit
001			419115-6	CYLINDER SEPARATOR	1	PC.
002			213809-3	O RING 87	1	PC.
003			213668-5	O RING 60	1	PC.
004			331700-4	CYLINDER	1	PC.
005			213667-7	O RING 60	1	PC.
006			421680-3	CUSHION F	1	PC.
007			421687-9	CUSHION GUIDE	1	PC.
008			233243-1	COMPRESSION SPRING 50	1	PC.
009			213504-5	O RING 40	1	PC.
010			213669-3	O RING 56	1	PC.
011			419114-8	HEAD VALVE	1	PC.
012			421925-9	VALVE SEAT	1	PC.
013			267742-1	WASHER 34	1	PC.
014			421924-1	CUSHION REAR	1	PC.
015			213619-8	O RING 49	1	PC.
016			154652-0	DRIVER COMPLETE	1	PC.
017			265499-8	HEX.SOCKET HEAD BOLT M5X10	3	PC.
018			345618-3	EXHAUST COVER	1	PC.
019			922342-1	HEX. SOCKET HEAD BOLT M6X25	4	PC.
020			317950-5	TOP CAP	1	PC.
021			162238-6	TOPCAP GASKET	1	PC.
023			154818-2	HOUSING COMPLETE	1	PC.
		INC.	421921-7	GRIP	1	PC.
		INC.	421922-5	HOUSING BUMPER R	1	PC.
		INC.	421923-3	HOUSING BUMPER L	1	PC.
		INC.	810681-0	CAUTION LABEL	1	PC.
024			324117-8	LOCK PIN 8	1	PC.
025			951075-1	SPRING PIN 3-28	2	PC.
026			417824-1	LEVER 8	1	PC.
027			233368-1	COMPRESSION SPRING 3	1	PC.
028			216008-6	STEEL BALL 4	1	PC.
029			162239-4	INLET CAP GASKET	1	PC.
030			419356-4	INLET FILTER	1	PC.
031			317951-3	INLET CAP	1	PC.
033			922252-2	HEX. SOCKET HEAD BOLT M5X30	3	PC.
034			213176-6	O RING 14	1	PC.
035			417695-6	TRIGGER VALVE GUIDE	1	PC.
036			213262-3	O RING 18	1	PC.
037			213039-6	O RING 6	1	PC.
038			213040-1	O RING 8	1	PC.
039			317959-7	PILOT VALVE	1	PC.
040			213122-9	O RING 12	1	PC.
041			233239-2	COMPRESSION SPRING 3	1	PC.
042			324591-0	TRIGGER VALVE STEM	1	PC.
043			213044-3	O RING 3	2	PC.
044			318010-6	TRIGGER VALVE CASE	1	PC.
045			345687-4	IDLER	1	PC.
046			258004-8	SPRING PIN 2.5-16	1	PC.
047			419418-8	TRIGGER	1	PC.
048			951075-1	SPRING PIN 3-28	1	PC.
049			310165-3	HOLDER	1	PC.
050			951075-1	SPRING PIN 3-28	1	PC.
051			310166-1	STOPPER	1	PC.

Item No	Type	Ref	Part No	SC Description	Qty	Unit
052			951054-9	SPRING PIN 3-10	1	PC.
053			310163-7	ADJUSTER	1	PC.
054			231978-8	CONICAL COMP. SPRING 9-16	1	PC.
055			267300-3	FLAT WASHER 5	2	PC.
056			266369-4	HEX SOCKET HEAD BOLT M5X20	2	PC.
057			345626-4	JOINT	1	PC.
058			419117-2	MAGAZINE CAP	1	PC.
059			154821-3	MAGAZINE COMPLETE	1	PC.
	INC.		810799-7	CAUTION LABEL	1	PC.
060			266370-9	HEX SOCKET HEAD BOLT M6X12	2	PC.
061			345619-1	NAIL STOPPER	1	PC.
062			922217-4	HEX. SOCKET HEAD BOLT M5X14	1	PC.
063			345620-6	MAGAZINE RAIL	1	PC.
064			344765-7	HOLDER	1	PC.
065			266370-9	HEX SOCKET HEAD BOLT M6X12	1	PC.
066			213654-6	O RING 60	1	PC.
067			310164-5	DRIVER GUIDE	1	PC.
068			266368-6	HEX SOCKET HEAD BOLT M8X25	4	PC.
069			233463-7	COMPRESSION SPRING 10	1	PC.
070			345622-2	CONTACT ARM	1	PC.
071			421418-6	RUBBER PIN 9.5	1	PC.
072			931302-2	HEX. NUT M6	2	PC.
073			265498-0	HEX.SOCKET HEAD BOLT M6X20	1	PC.
074			267314-2	FLAT WASHER 7	1	PC.
075			419118-0	COVER	1	PC.
076			267743-9	SHOLDER WASHER 6	1	PC.
077			344766-5	HOLDER	1	PC.
078			163456-9	SPIRAL SPRING COMPLETE	1	PC.
079			419112-2	SPRING GUIDE	1	PC.
080			256428-2	PIN 5-8	1	PC.
081			262054-7	URETHANE RING 3	1	PC.
082			256770-1	PIN 4	1	PC.
083			419116-4	PUSHER LEVER	1	PC.
084			262054-7	URETHANE RING 3	1	PC.
085			345673-5	LOCK PLATE	1	PC.
086			231309-1	COMPRESSION SPRING 5	1	PC.
087			345621-4	PUSHER	1	PC.
088			233038-2	COMPRESSION SPRING 5	1	PC.
089			256490-7	PIN 4	1	PC.
091			951054-9	SPRING PIN 3-10	1	PC.
092			233908-5	CONICAL COMPRESSION SPRING4-11	1	PC.
093			810097-9	INDICATION LABEL	1	PC.
094			819181-7	INDICATION LABEL	1	PC.
095			266370-9	HEX SOCKET HEAD BOLT M6X12	1	PC.
C01			847791-0	CARTON F/AN943	1	PC.

ACCESSORIES

- See catalogue or visit www.makita.ca for more accessories -

A01			122742-7	HOOK ASSEMBLY	1	PC.
	INC.		233442-5	COMPRESSION SPRING 10	1	PC.
	INC.		257757-6	SLEEVE 10	1	PC.
	INC.		313125-4	JOINT	1	PC.
	INC.		951063-8	SPRING PIN 3-16	1	PC.
A03			181434-7	OIL SUPPLY 30CC	1	PC.

Item No	Type	Ref	Part No	SC Description	Qty	Unit
A04			824841-8	PLASTIC CARRYING CASE	1	PC.
A05			194522-1	FIRST AID KIT	1	PC.
F01			421677-2	NOSE ADAPTOR	1	PC.

TechInfo	Usage	Intrchg	Status
80459			ACTIVE
Z9689			ACTIVE
			ACTIVE